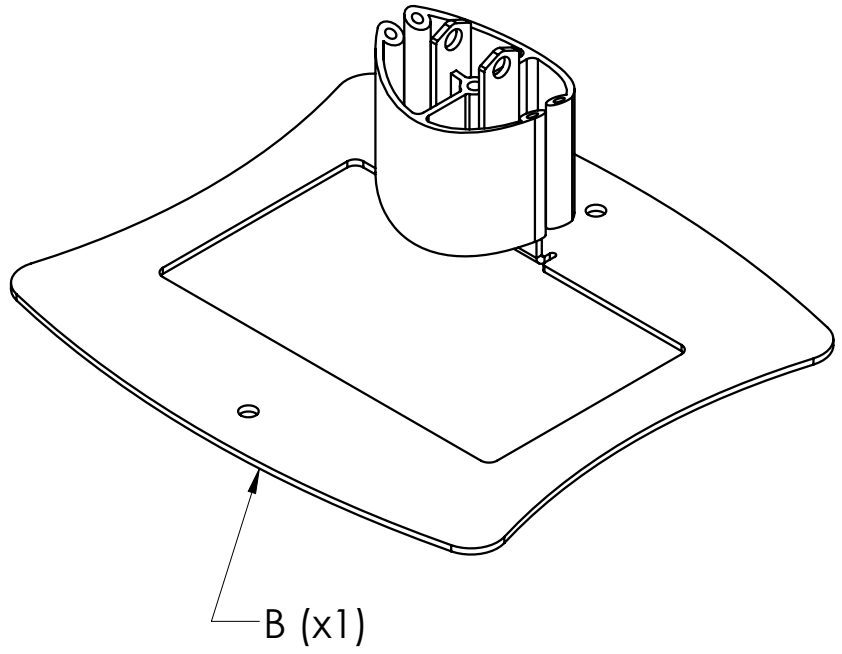
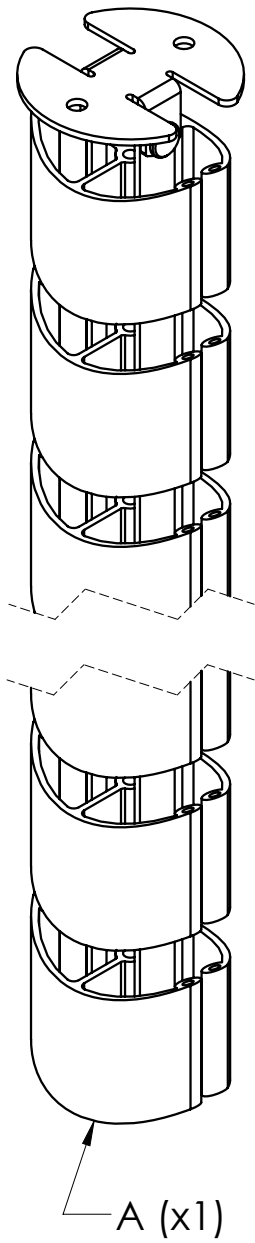
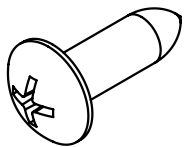


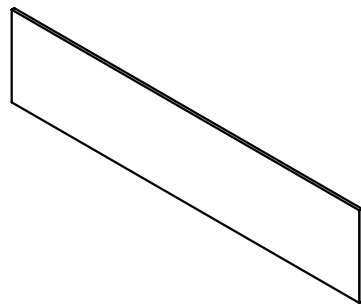
SP 501
Vertical Cable Management
Instructions (V2)



Hardware Kits

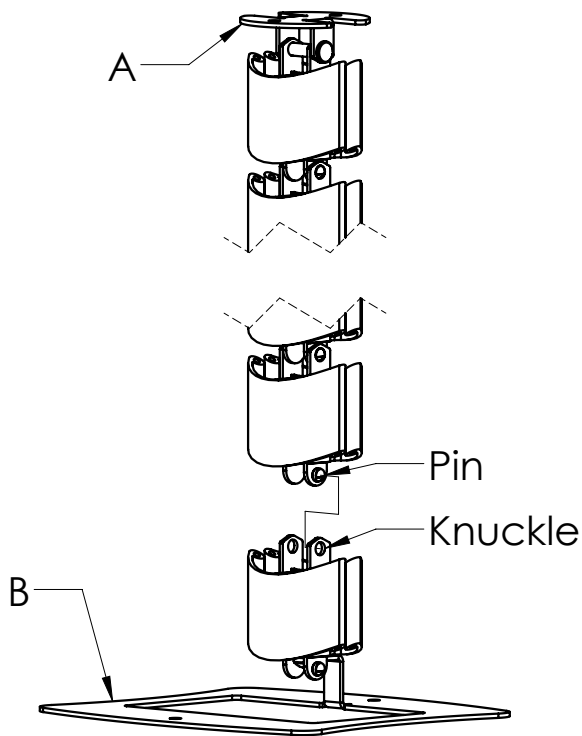


C-1
 $\phi 5*16\text{mm}$ Wood Screw (x4)

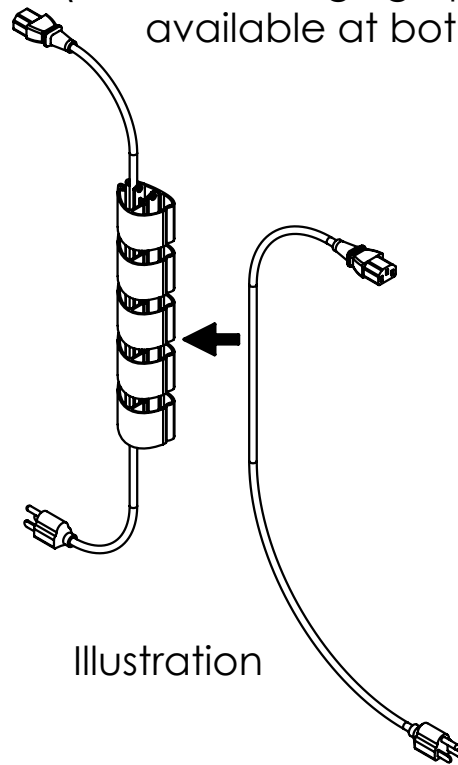


C-2
Double-Sided Foam Tape (x2)

Step 1: Connect part A and part B.

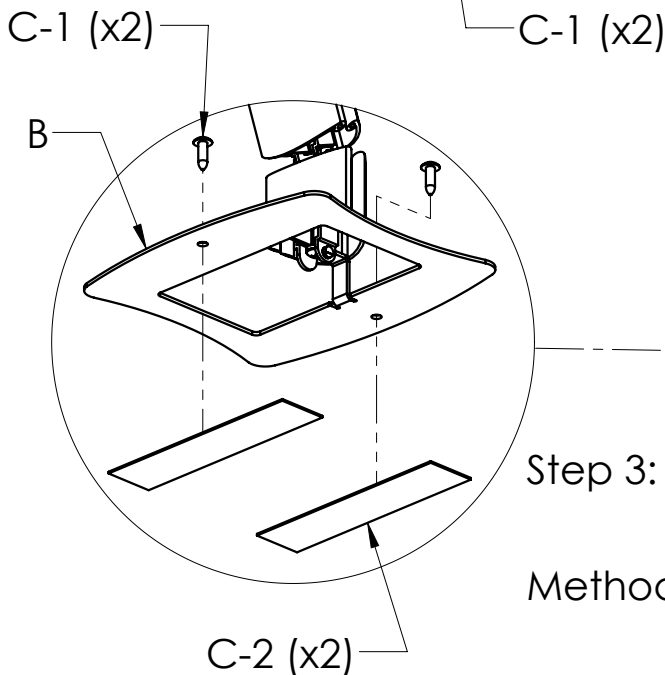
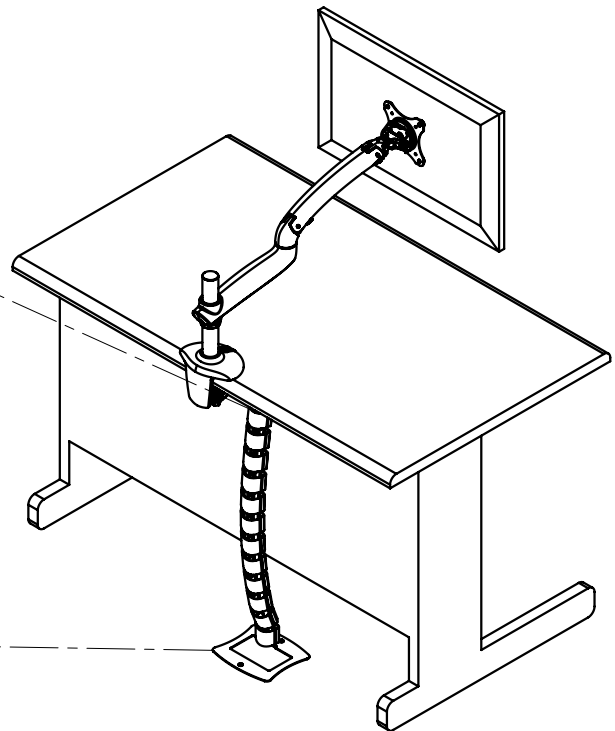
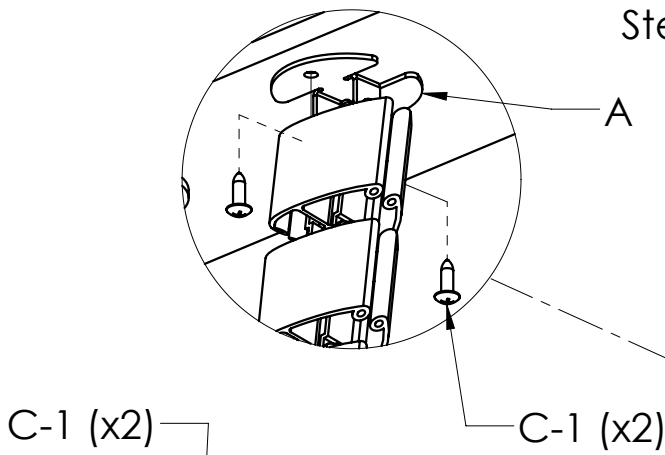


Slightly open up the side openings and insert the cables into the hollow space.
(Cable managing open space is available at both sides.)



Illustration

Step 2: Place the part A against the desk top, then secure with 2 pcs of screws (C-1).



Step 3: There are 2 methods for installation.
(Please choose either of them)

Method 1: Place the part B base on the floor, then secure with 2 pcs of screws (C-1).

Method 2: Apply 2 pcs of double-sided foam tape (C-2) onto the part B base, and attach it onto the floor.