

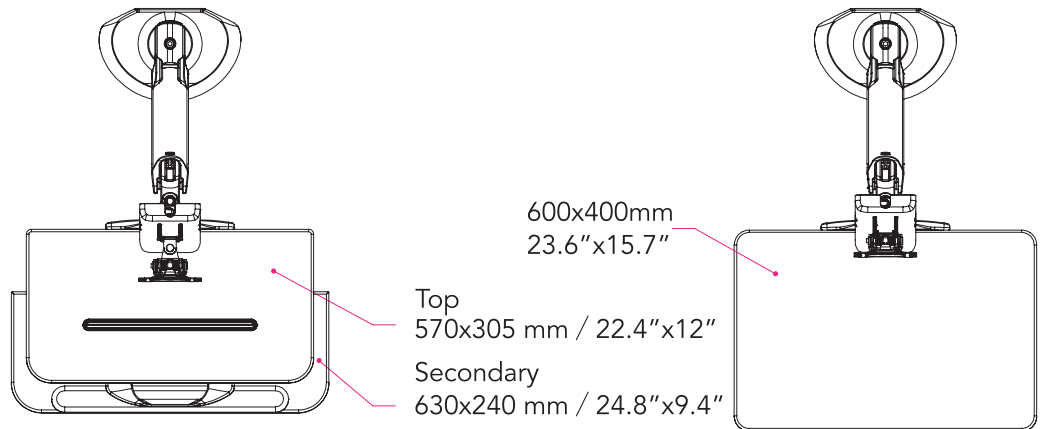
Premium Sit-Stand Workstation

- Quality PU Coating
- Aesthetic & Functional Central Column
- Aluminum Construction

Premium Sit-Stand Workstation, SP201 & SP201A, is made of selective quality materials to ensure the design is built to last and bring out the best performance for users. Aluminum is primarily adopted in the construction to enhance strength and durability. While designing the central column with aesthetics in mind, a concealed crank is also incorporated to easily adjust the monitor heights. Articulating arm base makes horizontal travels possible, in a radius of 41" when fully expanded, on top of vertical height movement.



watch now



Fits 1 or 2 monitor(s)

SP201

Color Options

Single ≤32"



Dual ≤ 27"/EA



Black

White

Silver

Equips with 1 or 2 worksurface(s)

SP201A

1-Tier



2-Tier



Black

White

Silver

SP201 & SP201A

Manual Sit-Stand Workstation

Payload Capacity



(S) (D) total up to 27 lbs / 12.2 kgs including monitors and work surfaces

Monitor Rotation



(S) (D) 360°

Monitor Height Adjustment Range

200 mm / 7.8"

Tilt

(S) (D) ±20°

* Dual Monitor Holder Sliding Distance

260 mm / 10.2" either side (Left or Right)

Base

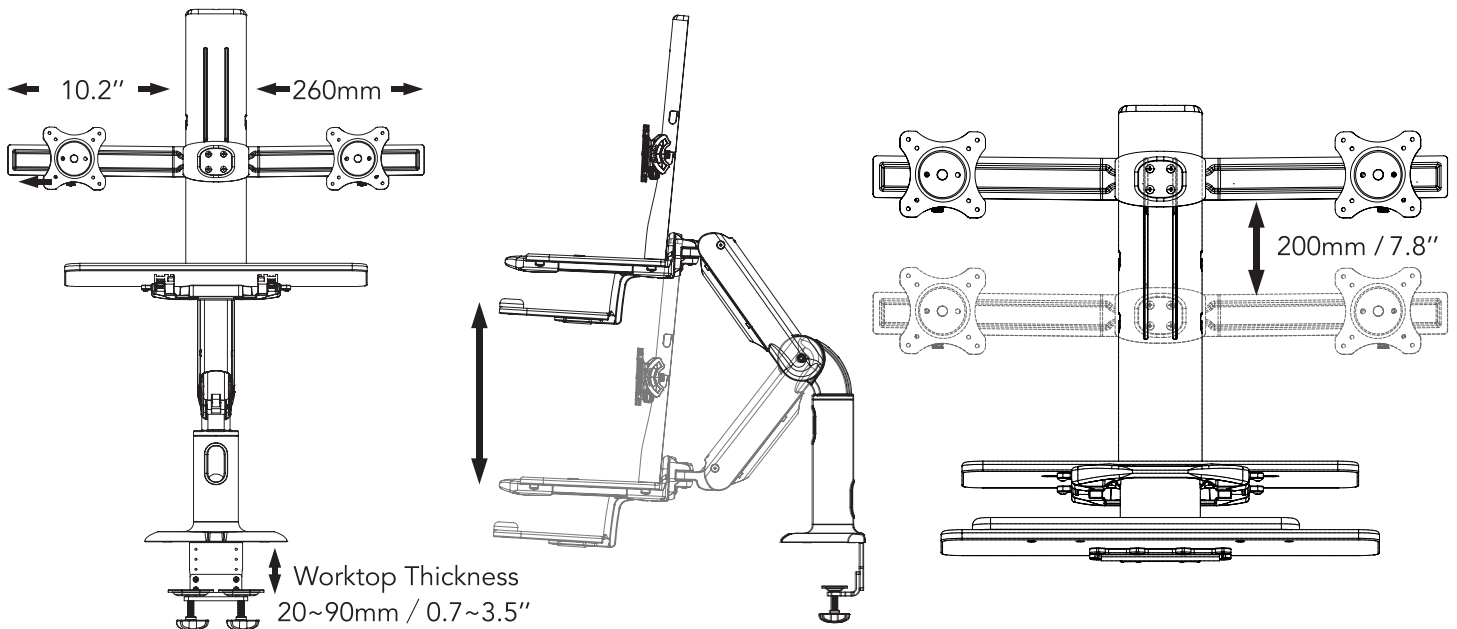
Clamp with Aluminum Cover

Worktop Thickness

20-90 mm / 0.7"-3.5"

Mechanism

Spring-assisted



SP201

SP201A

Worksurface Material

MDF

Worksurface Finish

Polyurethane Coat

Top Worksurface

305 mm D x 570 mm W
12"x 22.4"

400 mm D x 600 mm W
15.7"x 23.6"

Slot Groove for Tablet or Smartphone



Retractable Keyboard Platform

240 mm D x 630 mm W
9.4" x 24.8"



Cable Management



Framework

Aluminum & Steel



C.D. Great Furniture | www.cdgreat-officefurniture.com |
cd.great@msa.hinet.net | +886-4-2567-9181